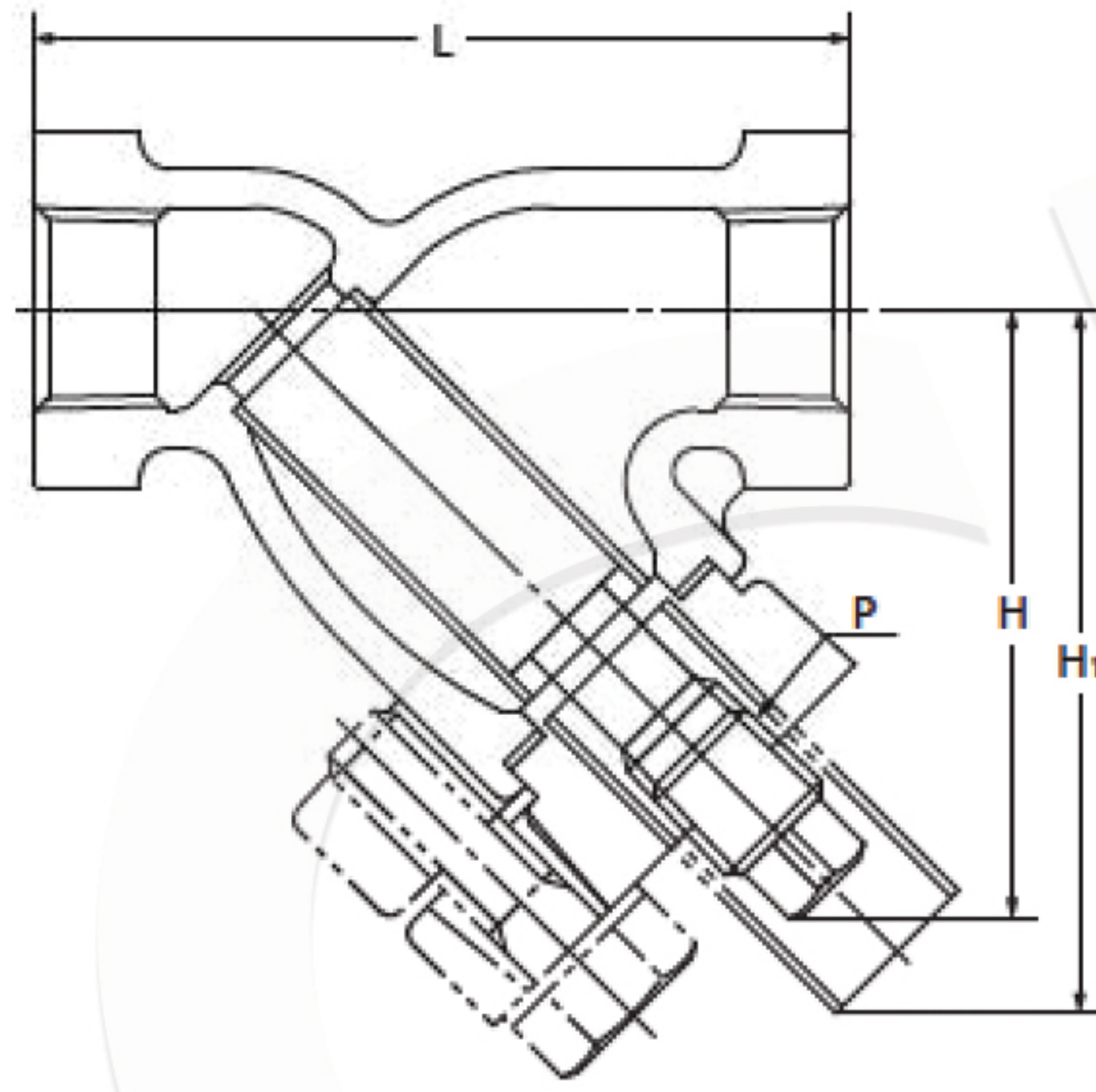
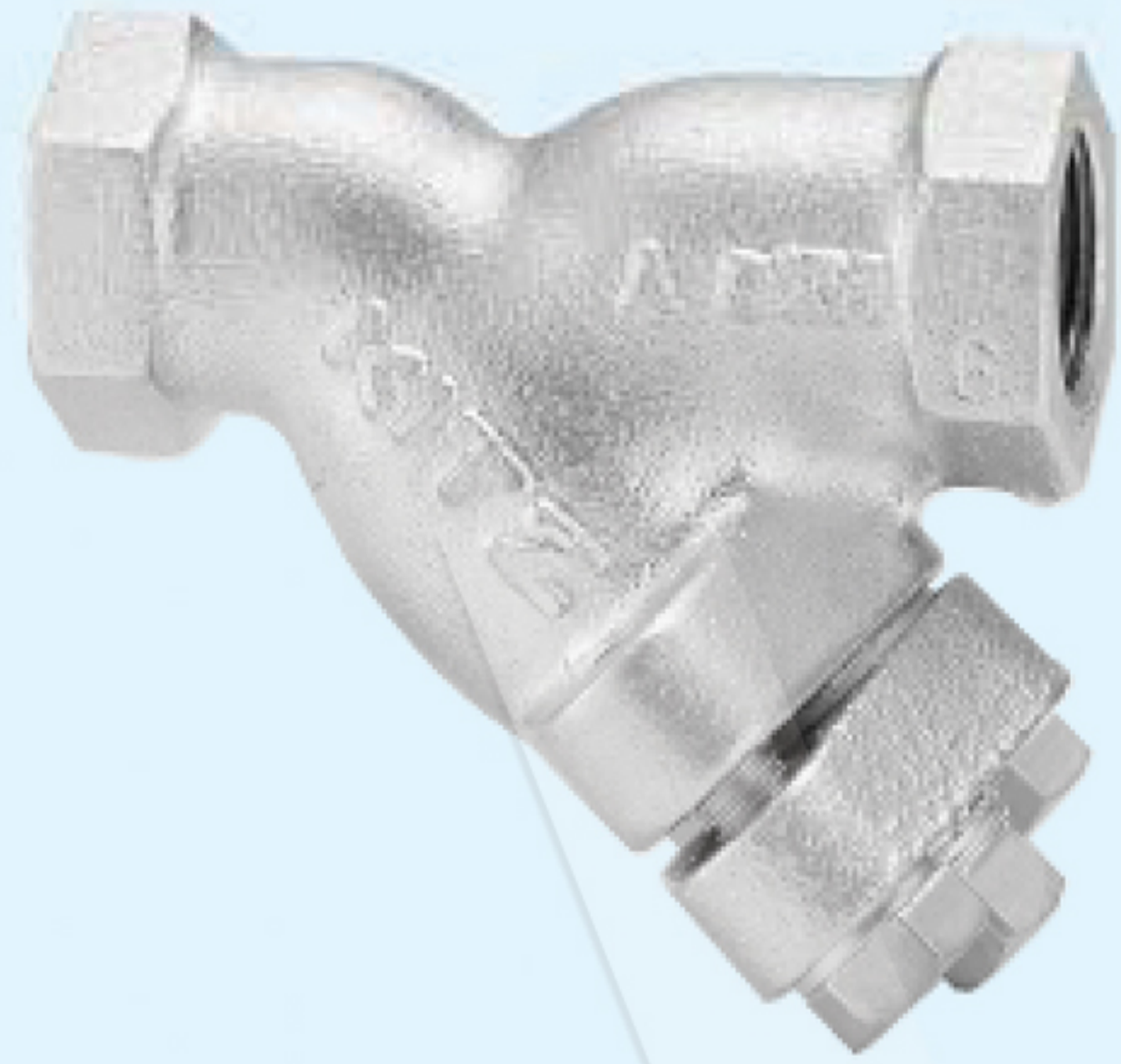


20K Strainer for Gas Service

20FDY
B.C.



End to end : KITZ Std.
End connection : JIS B 0203

120°C Static water..... 2.8MPa
220°C Steam, air, gas, oil..... 2.5MPa
300°C Steam, air, gas, oil..... 2.3MPa
350°C Steam, air, gas, oil..... 2.0MPa

- Use for lubricating or hydraulic oil is acceptable.
- A gasket will be used for sealing the plug for application to high temperature exceeding 260°C. Specify your service temperature in advance. Ensure replacement of plug gaskets on your valve maintenance.

Materials

Parts	JIS material
Body	FCD-S
Cover	FCD-S
Gasket	Flexible Graphite
Screen *	SUS304
Plug	SUS304
Cover bolt	Carbon Steel

* 40 mesh wire cloth (reinforced with SUS304 punched plate)

Dimensions

Size	mm	10	15	20	25	32	40	50	mm
	inch	1/2	3/4	3/4	1 1/4	1 1/2	2	2	
L		80	85	100	115	135	150	180	
H		65	65	70	83	120	130	152	
P		Rc 1/4	Rc 1/4	Rc 3/8	Rc 1/2	Rc 3/4	Rc 1	Rc 1 1/4	
H1		74	74	85	102	122	134	161	